



Purchasing Division  
 2019 Washington Street East  
 Post Office Box 50130  
 Charleston, WV 25305-0130

**State of West Virginia  
 Solicitation Response**

Proc Folder : 411519  
 Solicitation Description : Parks - Pipestem exercise equipment  
 Proc Type : Agency Purchase Order

Date issued	Solicitation Closes	Solicitation Response	Version
	2018-01-30 13:30:00	SR 0310 DNR1800000039	1

VENDOR
000000227016 IRONCOMPANY COM INC

Solicitation Number: ARFQ 0310 DNR1800000030

Total Bid : \$13,956.00      Response Date: 2018-01-17      Response Time: 09:41:00

Comments:

**FOR INFORMATION CONTACT THE BUYER**  
 James R Jones  
 304-558-3397  
 james.r.jones@wv.gov

Signature on File	FEIN #	DATE
-------------------	--------	------

All offers subject to all terms and conditions contained in this solicitation

Line	Comm Ln Desc	Qty	Unit Issue	Unit Price	Ln Total Or Contract Amount
1	Commercial Treadmills	3.00000	EA	\$2,299.000000	\$6,897.00

Comm Code	Manufacturer	Specification	Model #
49201501			

Extended Description : 3.1.1 Commercial Treadmill

**Comments:** Spirit Fitness CT800

Line	Comm Ln Desc	Qty	Unit Issue	Unit Price	Ln Total Or Contract Amount
2	Commercial Elliptical	2.00000	EA	\$1,899.000000	\$3,798.00

Comm Code	Manufacturer	Specification	Model #
42251600			

Extended Description : 3.1.2 Commercial Elliptical

**Comments:** Spirit Fitness CE800

Line	Comm Ln Desc	Qty	Unit Issue	Unit Price	Ln Total Or Contract Amount
3	Total Gym, or equal	1.00000	EA	\$320.000000	\$320.00

Comm Code	Manufacturer	Specification	Model #
49201501			

Extended Description : 3.1.3 Total Gym, or equal

**Comments:** Total Gym 1400 Deluxe

Line	Comm Ln Desc	Qty	Unit Issue	Unit Price	Ln Total Or Contract Amount
4	Commercial Upright Bike	2.00000	EA	\$1,274.000000	\$2,548.00

Comm Code	Manufacturer	Specification	Model #
49201501			

Extended Description : 3.1.4 Commercial Upright Bike

**Comments:** Spirit Fitness CU800

Line	Comm Ln Desc	Qty	Unit Issue	Unit Price	Ln Total Or Contract Amount
5	Power Tower	1.00000	EA	\$393.000000	\$393.00

Comm Code	Manufacturer	Specification	Model #
42251600			

Extended Description : 3.1.5 Power Tower

**Comments:** Valor Fitness CA-16



## Ironcompany.com, Inc.

7349 Milliken Ave. 140-332  
Rancho Cucamonga, CA 91730

Phone: (888) 758-7527  
Fax: (866) 841-3875

## Quote

Expiration Date: 02/15/2018  
Quote# CAR-Q14990  
Reference# ARFQ 0310  
DNR1800000030

### SHIP TO

Pipesteam State Park  
James Jones  
3405 Pipestem Dr.  
Pipestem, WV 25979  
(304) 558-3397

ITEM #	DESCRIPTION	QTY	UNIT PRICE	TOTAL
CE800	Commercial Elliptical Trainer   Spirit Fitness (CE800) LED Display (CE800)	2.00	<del>\$2,499.00</del> \$1,899.00	<del>\$4,998.00</del> \$3,798.00
CT800	Commercial Treadmill   Spirit Fitness (CT800)	3.00	<del>\$2,999.00</del> \$2,299.00	<del>\$8,997.00</del> \$6,897.00
CU800	Commercial Upright Fitness Bike   Spirit Fitness (CU800) LED Display (CU800)	2.00	<del>\$1,599.00</del> \$1,274.00	<del>\$3,198.00</del> \$2,548.00
Total Gym 1400	Total Gym 1400 Deluxe	1.00	\$320.00	\$320.00
CA-16	VKR / Chin-Up / Push-Up Tower -- Valor Fitness (CA-16)	1.00	<del>\$393.99</del> \$393.00	<del>\$393.99</del> \$393.00
<b>Subtotal</b>				\$13,956.00
<b>Total Savings</b>				\$3,950.99
<b>Tax</b>				\$0.00
<b>S &amp; H</b>				\$0.00
<b>TOTAL</b>				\$13,956.00

Any questions regarding this Quote please contact:  
**Chad Riebeling**  
chad@ironcompany.com (888) 758-7527 x721

Date: 01/17/2018





## Ironcompany.com, Inc.

7349 Milliken Ave. 140-332  
Rancho Cucamonga, CA 91730

**Phone:** (888) 758-7527  
**Fax:** (866) 841-3875

## Quote

**Expiration Date:** 02/15/2018  
**Quote#** CAR-Q14990  
**Reference#** ARFQ 0310  
DNR1800000030

**PLACE ORDER**

### Quote Notes

Discount priced and shipping included in your quoted price.

Ships via one of our various freight carriers on wooden pallet(s). This delivery is considered a curbside delivery only and will be delivered to a location at your address that is acceptable for a tractor trailer at the driver's discretion. Customers are required to be present at the time of delivery to inspect delivered items for piece count and condition and to sign the delivery receipt. On most deliveries, customers will receive a 24-hour notification call and lift gate service.

Please allow estimated 8-12 business days lead time from date of order to date of arrival.

GSA # GS-07F-0104M  
CMAS # 4-12-78-0066A  
Cage Code # 1TCW6  
TAX ID # 77-0603759  
DUNS # 004628657

Ironcompany® makes no "claim" for suitability of application on quote request. Commercial grade equipment is always recommended in non-residential locations. All transactions whether electronic or verbal are conducted and bound by terms and conditions at [www.ironcompany.com](http://www.ironcompany.com).

Ironcompany is GSA classified Woman Owned Small Business.

View the Ironcompany.com GSA report card at this link:  
<http://www.ironcompany.com/gsa-report.pdf>

**Any questions regarding this Quote please contact:**

**Chad Riebeling**

[chad@ironcompany.com](mailto:chad@ironcompany.com) (888) 758-7527 x721

**Date:** 01/17/2018



**SPIRIT** **C** SERIES **CE800** ELLIPTICAL TRAINER

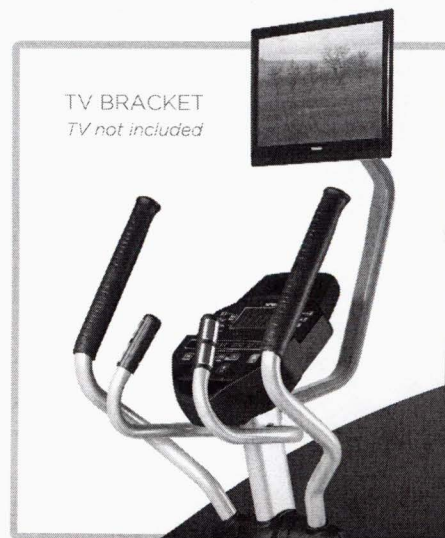


The CE800 was specifically engineered for the commercial environment, from its heavy-duty steel frame to its durable powder coat paint finish. Its design focuses on convenience, comfort, reliability, and aesthetic appeal.

## FEATURES

- Smooth, quiet 20" stride, which is the optimal distance for the average user
- Dual rollers on each pedal arm for a sturdier base; the rollers are shielded for safety
- Generator powered console means there is no need for electricity
- 2° of inversion at each foot pedal places the user in an anatomically correct position
- 40 levels of resistance to satisfy the needs of beginners or advanced exercisers
- C-safe Power and Communication capabilities for A/V control

## OPTION SOLD SEPARATELY

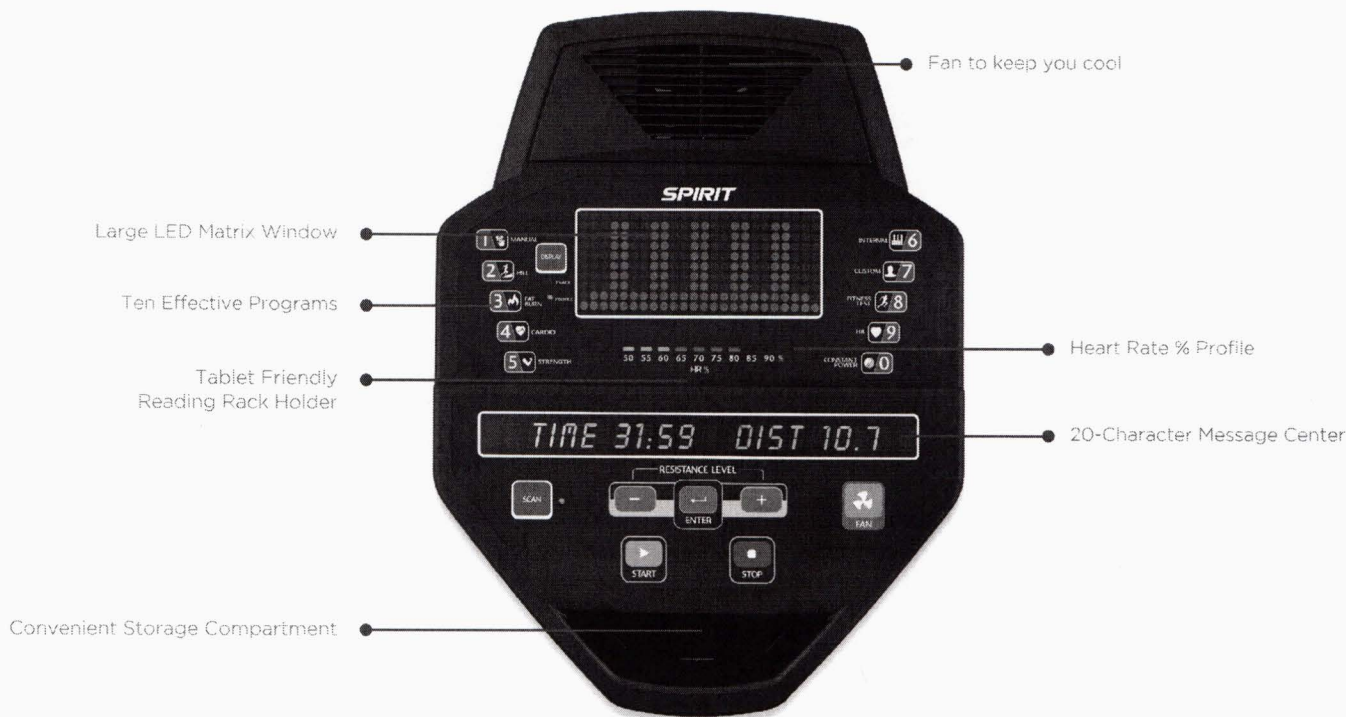




# CONSOLE FEATURES

As with any product, a major importance is the user interface. We focused on making everything easily accessible and comfortable: A storage tray for a phone, keys, or an MP3 player, ergonomically friendly pulse grip handles for a more natural hand position, and a Turbo cooling fan to keep your clients cool and encourage them to workout longer.

A quick press of a button and your clients are off on one of the many specialized workouts such as the Fit Test or Constant Power programs. Our large, easy-to-read console gives your clients constant feedback from calories to distance to time.



## EQUIPMENT SPECIFICATIONS

<b>Console</b>	Large Blue-LED Matrix, 20-Character LED Message Center, LED Heart Rate Bar, Tablet Friendly Reading Rack, Turbo Cooling Fan
<b>Programs</b>	Manual, Hill, Fat Burn, Cardio, Strength, Interval, Fit Test, HR, Constant Power, Custom
<b>Heart Rate</b>	Contact & Telemetric (Chest strap sold separately)
<b>Resistance</b>	40 levels
<b>Drive Train</b>	Integrated Generator
<b>Power</b>	Self-Generating
<b>Flywheel System</b>	30 lbs.
<b>Pedals</b>	Oversized w/ 2-Degree Inversion
<b>Frame</b>	Heavy-Gauge High-Strength Steel w/ Durable Powder-Coat Paint
<b>Dimensions</b>	78" x 28" x 67"
<b>Product Weight</b>	240 lbs.
<b>Max User Weight</b>	450 lbs.

## WARRANTY INFORMATION

### Commercial Warranty (Non-Dues Paying Facilities)

Lifetime: Frame | 5 Years: Parts & Electronics | 2 Years: Labor



**C** SERIES **CT800** TREADMILL

**SPIRIT**



The CT800 is stout and extremely durable, weighing in at over 350 lbs. The combination of the heavy duty steel frame and aluminum console masts & side rails make it comparable to treadmills at much higher price points in the commercial market. The large workout area makes this model very appealing to walkers and runners.

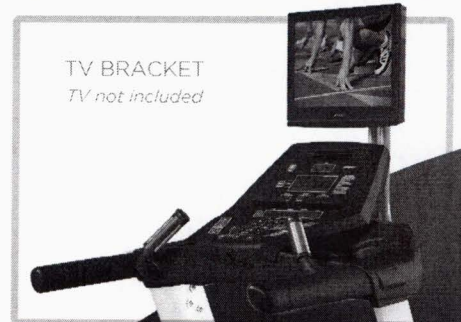
## FEATURES

- Bright, tri-color LED console with programming very similar to our other C series consoles
- Quick Speed and Incline keys to save time and make workouts more efficient
- Contact and wireless heart rate options to help keep clients in their safe & effective training zone
- Dual-drive motor cooling fans to protect and extend the life of the motor and control board
- Maintenance free, hard wax deck system provides hassle free use for thousands of miles
- Spacious 22"x 60" workout area to accommodate tall individuals
- Multi-ply Habasit® Commercial Belt for superior belt life
- C-safe Power and Communication capabilities for A/V control

## OPTIONS SOLD SEPARATELY



EXTENDED HANDRAILS



TV BRACKET  
*TV not included*



# CONSOLE FEATURES

As with any product, a major importance is the user interface. We focused on making everything easily accessible and comfortable: dual storage trays for beverages, keys, or phone, ergonomically friendly pulse grip posts for a more natural hand position, and a Turbo cooling fan to keep your clients cool and encourage them to workout longer.

A quick press of a button and your clients are off on a walk, a run, or one of the many specialized workouts. Our large, easy-to-read console gives them constant feedback from calories to distance to time.



## EQUIPMENT SPECIFICATIONS

<b>Console</b>	Large Blue-LED Matrix w/ 4 Separate LED Info Windows, 20-Character LED Message Center, LED Heart Rate Bar, C-Safe Compatible, Tablet Friendly Reading Rack
<b>Programs</b>	Manual, Interval, 5k, Hill, Fat Burn, Cardio, Fit Test, Gerkin Protocol Fit Test, 4 Military Readiness Tests (Army, Navy, AirForce, Marines), 2 HR, Custom
<b>Heart Rate</b>	Contact & Telemetric (Chest strap sold separately)
<b>Speed / Incline</b>	0.5 - 12 mph / 0 - 15%
<b>Power</b>	120 Volts (NEMA 5-20P Electrical cord); 20 Amp Circuit recommended
<b>Drive Motor</b>	4.0 HP DC Drive w/ Grade H Insulation
<b>Deck</b>	1" Phenolic, Double-Sided, Wax-Coated
<b>Belt</b>	22" x 60", Habasit® Commercial, Multi-Ply
<b>Rollers</b>	3.0"
<b>Frame</b>	Heavy-Gauge High-Strength Steel w/ Durable Powder-Coat Paint, Aluminum Console Masts & Side Rails
<b>Dimensions</b>	84" x 35" x 57"
<b>Product Weight</b>	353 lbs.
<b>Max User Weight</b>	450 lbs.

## WARRANTY INFORMATION

### Commercial Warranty (Non-Dues Paying Facilities)

Lifetime: Frame | 5 Years: Motor, Deck & Parts | 2 Years: Labor



SERIES **CU800** UPRIGHT BIKE



**SPIRIT**

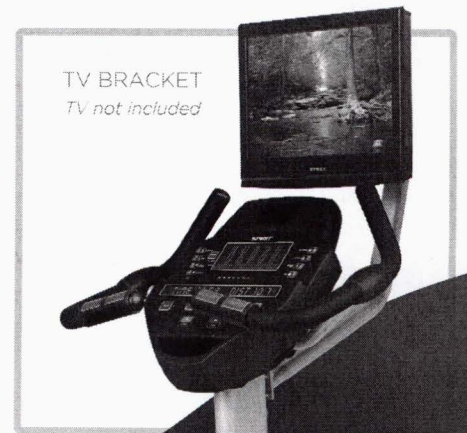


The CU800 was specifically engineered for the commercial environment, from its heavy duty steel frame to its durable powder coat paint finish. The design focuses on convenience, comfort, and durability. The console offers multiple programs, most with 40 levels of resistance and enough feedback information to make sure your clients never grow bored of the CU800. The extra-smooth ride comes from the perfect gearing and the integrated generator/flywheel system.

## FEATURES

- Contact & Telemetric heart rate capabilities to make the workout more effective
- Generator powered console means there is no need for electricity
- Oversized foot pedals with fast latching system
- Dual spring seat with fore/aft adjustment for extra comfort and a custom fit
- 40 levels of resistance to satisfy the needs of beginners or advanced exercisers
- C-safe Power and Communication capabilities for A/V control

## OPTION SOLD SEPARATELY





# CONSOLE FEATURES

As with any product, a major importance is the user interface. We focused on making everything easily accessible and comfortable: A storage tray for a phone, keys, or an MP3 player, ergonomically friendly pulse grip handles for a more natural hand position, and a Turbo cooling fan to keep your clients cool and encourage them to workout longer.

A quick press of a button and your clients are off on one of the many specialized workouts such as the Fit Test or Constant Power programs. Our large, easy-to-read console gives your clients constant feedback from calories to distance to time.



## EQUIPMENT SPECIFICATIONS

<b>Console</b>	Large Blue-LED Matrix, 20-Character LED Message Center, LED Heart Rate Bar, Tablet Friendly Reading Rack, Turbo Cooling Fan
<b>Programs</b>	Manual, Hill, Fat Burn, Cardio, Strength, Interval, Fit Test, HR, Constant Power, Custom
<b>Heart Rate</b>	Contact & Telemetric (Chest strap sold separately)
<b>Resistance</b>	40 levels
<b>Drive Train</b>	Poly-V Belt w/ Self-Tensioner
<b>Power</b>	Self-Generating
<b>Flywheel System</b>	30 lbs.
<b>Pedals</b>	Oversized w/ Fast Latching System
<b>Frame</b>	Heavy-Gauge High-Strength Steel w/ Durable Powder-Coat Paint
<b>Dimensions</b>	42" x 21" x 53"
<b>Product Weight</b>	115 lbs.
<b>Max User Weight</b>	450 lbs.

## WARRANTY INFORMATION

**Commercial Warranty (Non-Dues Paying Facilities)**  
Lifetime: Frame | 5 Years: Parts & Electronics | 2 Years: Labor



[Shop by Brand](#) [New Products](#) [Recycled & Green Products](#) [Clearance](#) [GSA Ordering](#) [Articles](#) [Customer Care](#) [Contact Us](#)

[Plyo Boxes](#) [Kettlebells](#) [Heavy Ropes](#) [Bands / Tubing](#) [Medicine Balls / Slam Balls](#) [Push / Pull Sleds](#) [Power Clubs / Hammers](#) [Rowers](#) [Training / Education](#) [USA Made](#)

[Home](#) > [Strength Equipment](#) > [Abdominal / Core Benches](#) > [VKR / Chin-Up / Push-Up Tower -- Valor Fitness \(CA-16\)](#)

**CATEGORIES**

- Accessories
- Balls / Slammer / Medicine
- Bands / Tubing / Rings
- Bodyweight / Calisthenics Training
- Cardio Equipment
- Cleaning Wipes / Supplies
- Cross-Training / Boxing / MMA
- Flooring / Mats / Turf
- Foam Rollers / Balance
- Free Weights
- Garage Gym Packages
- GSA / CMAS
- Heavy Ropes
- Inversion / Vibration
- New / Clearance / Green
- Outdoor Fitness Equipment
- Plyometric / Speed / Sled Training
- Storage Racks
- Strength Equipment
  - Abdominal / Core Benches
  - Back / Ham / Glute Benches
  - Functional Training
  - Half Racks & Quarter Cages
  - Home Gyms
  - Hydraulic Gym Equipment
  - Jungle Gyms
  - Lifting Platforms
  - Plate Loaded / Leverage Equipment
  - Power Cages / Platform Racks
  - Refurbished Strength Equipment
  - Selectorized Equipment
  - Smith Machines
  - Squat Stands / Modular Racks
  - Weight Bench Attachments
  - Weight Benches

**VKR / Chin-Up / Push-Up Tower -- Valor Fitness (CA-16)**

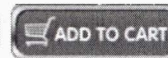
<< Previous in Abdominal / Core Benches

Next in Abdominal / Core Benches >>



Your Price: **\$393.99**

Quantity:



[Add to a new shopping list](#)

[Email this page to a friend](#)

[OShare](#)



Description	Details
-------------	---------

**Valor Fitness CA-16 VKR Tower** - The CA-16 VKR Tower from Valor Fitness is a multi-function strength training tower offering vertical knee raise, pull-up, push-up, and dip exercises for upper body and core development. What sets the Valor Fitness VKR Tower apart from traditional towers is the multi-grip pull up station. Rather than a straight wide grip pullup bar, the Valor Fitness VKR Tower provides multiple grips to allow the user to find the grip that best fits their hands and body positioning to challenge the upper body to the max. The pull-up and chin-up exercise will work the back, shoulders, and arms through a vertical pulling motion. Next, the Vertical Knee Raise (VKR) station wedges the user into the back pad allowing the elbows to be positioned securely next to the body while raising the knees to work the lower abdominals and hip flexors. Attached to the VKR are two dip handles raised high enough off the floor for foot clearance. The dip exercise works the triceps, chest, and front deltoids (shoulders) in a vertical pushing motion. Lastly, there are two push-up handles positioned on the lower frame to work the chest and arms with deep stretch given the elevated position. In addition, the user can turn around and perform seated dips for triceps taking some of the body weight load off their arms.



USA Made  
 Weight Scales  
 Wireless Entertainment  
 Yoga / Pilates

The Valor Fitness CA-16 VKR Tower is a great space saver that will challenge your natural body strength by providing multiple exercises in one combo unit. With its versatility this power tower is ideal for your home or fitness studio. The CA-16 features heavy duty steel for strength and stability, and thick padded arm rests and back pad with double stitching and high-density foam for comfort and durability. You will feel confident that the VKR Tower will stand up to the most demanding fitness routines and offer you years of reliable service for your body weight training needs.

Looking for additional combo machines to strengthen upper body and core? Contact an Ironcompany.com strength equipment specialist today at 1-888-758-7527 or email quotes@ironcompany.com

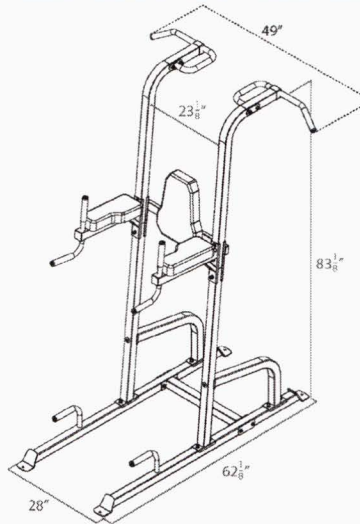
**Features:**

- Heavy duty steel for strength and durability
- Dip station with rubberized grips for both triceps and upper body development
- Multi-grip pull-up station with rubberized grips
- Push-up handles with rubberized grips
- Vertical knee raise station with rubberized grip handles to challenge abdominals
- Thick pads on VKR station for comfort and stability

**Specifications:**

- Assembled Dimensions: 63" L x 49" W x 84" H
- Unit Weight: 122 lbs.
- Shipping Dimensions:
  - Carton 1 – 41" x 19" x 9" (69 lbs.)
  - Carton 2 – 64" x 14" x 6" (53 lbs.)

Click to Enlarge for Valor CA-16 Dimensions



**Warranty:**

- Frame - 3 Years
- Pads and Upholstery - 2 Years
- Hardware and Grips - 1 Year

Shipping Included  
 Shipping cost included within the lower 48 states only  
 Ships via UPS

**Product Reviews**

Rate This Product:  
 ★★★★★  
 or Create a Review  
 (0 Ratings, 0 Reviews)

**Related Products**

**Fold-Away Wall Mounted Dip Station -- Valor Fitness (DP-2)**

Your Price: \$99.99 - Temporarily Out of Stock



**PLG Lat Pull/Curl/Ab Home Gym -- Valor Fitness (CB-12)**

Your Price: \$339.99



**Vertical Knee Raise / Dip / Pull Up Power Tower -- TKO (870VKR-B)**

Your Price: \$789.00

**Core VKR Soft Surface Training Stand -- Vicore Fitness (2334-PS)**

List Price: \$1,185.00

Your Price: \$1,189.00



You Save: \$6.00 (1 %)

KEEP CONNECTED!



NEWS & INFORMATION

- Articles
- News
- About Us
- Employment
- Legal
- Order Form
- Purchase Orders
- Privacy Policy
- RAW Column
- Scholarships
- Secure Shopping

ADDITIONAL SERVICES

- Extended Warranty
- Financing
- Gift Certificates
- International Shipping
- Outlet Store
- Service & Repair
- Training and Education
- Video
- Warehouse Pick Up

KEEP UP WITH US

Email Address

SUBMIT

CUSTOMER ASSISTANCE

- Product Info & Sales
- Customer Care
- Site Map

Our Mailing Address:  
 7349 Milliken Ave. 140-332  
 Rancho Cucamonga, CA  
 91730-7435

1-888-758-7527



Woman Owned Small Business

© 2018 Ironcompany.com ®

Need help finding anything? Let us help!

